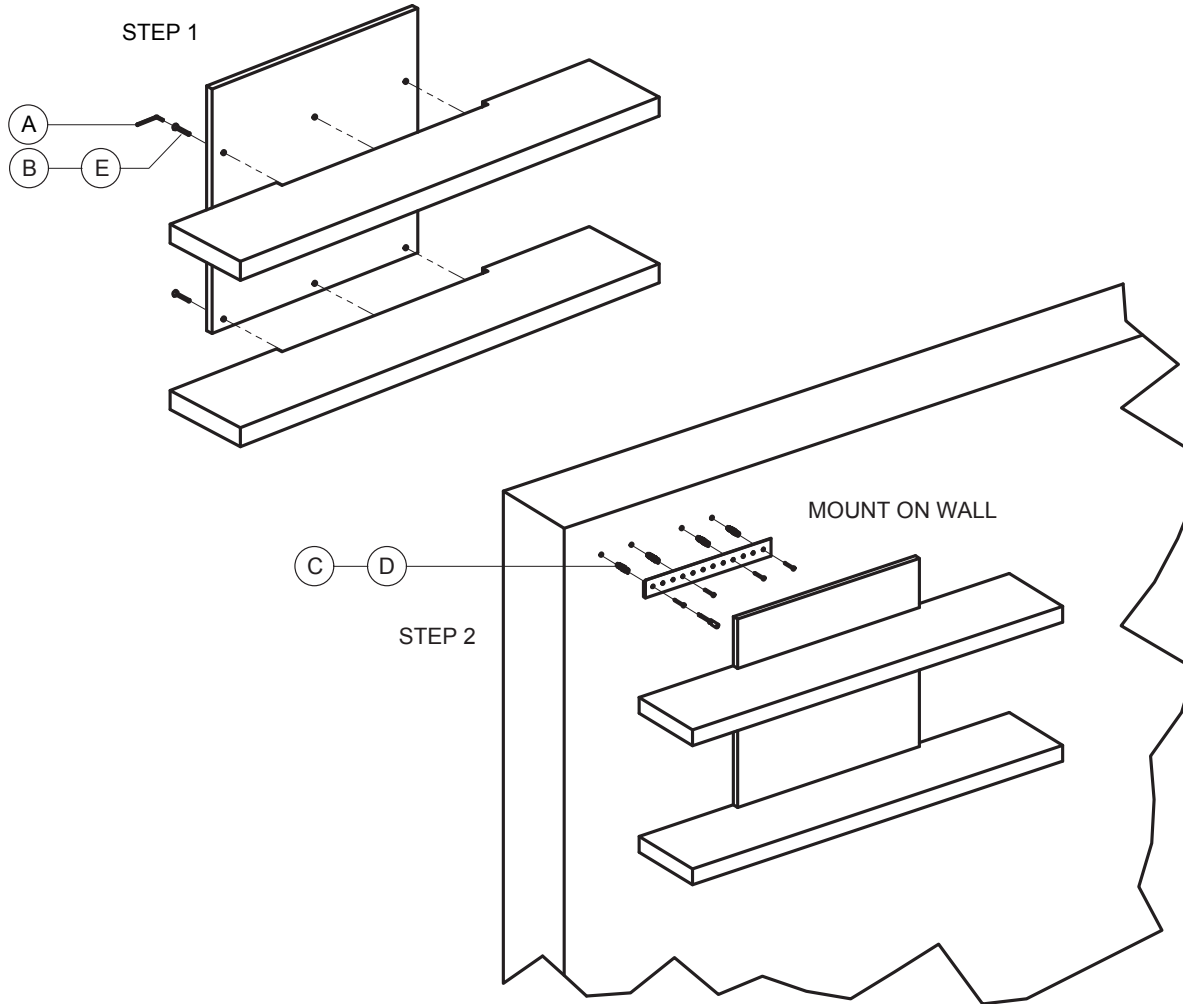
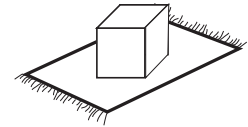


GENERAL NOTE: CAREFULLY REMOVE ALL WRAPPING MATERIALS AND ENSURE ALL PARTS ARE ACCOUNTED FOR. ASSEMBLE ON A CLEAN FLAT SURFACE TO AVOID SCRATCHES. DO NOT DISCARD THE PACKAGING UNTIL ITEM IS FULLY ASSEMBLED.



HARDWARE

A		HA00372 ALLEN KEY 5mm	x 1
B		HA00380 FLATHEAD M8 x 35MM	x 6
C		HA00306 6Ø x 52 SPREADING WALL PLUG	x 5
D		HA00400 CSK + CB SCREW M4 x 38MM	x 5
E		HA00180 FLAT WASHER Ø17 x Ø8 x 1.5MM	x 6